

GoodWe EV Charger Solution

(SA-B-20221208-001)

Introduction

With the popularization of electric vehicles, the demand of combine the residential PV system to control the charging of electric vehicles is more and more intense. GoodWe provides the EV charger solution for all the grid-tied and storage inverters.

● EV Charger

GoodWe HCA series EV charger includes 7kw for single phase and 11kw/22kw for three phase.



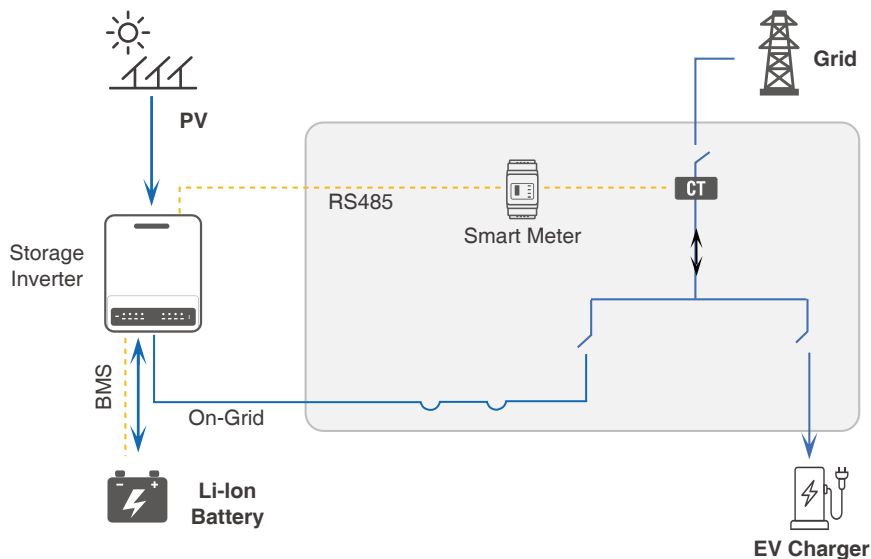
	GW7K-HCA	GW11K-HCA	GW22K-HCA
Output power(W)	7000	11000	22000
Output voltage(Vac)	230	400	400
Output current(A)	32	16	32

GoodWe EV charger integrated multiple protections, such as overvoltage and undervoltage protection, overload protection, ground fault protection, lightning protection. Also, GoodWe EV charger have the IP65 protection degree to make sure it can work both indoors and outdoors. Regard to the communication, GoodWe EV charger have 2 communication dongles, wifi and Bluetooth.

GoodWe EV Charger Solution

(SA-B-20221208-001)

System Connection



GoodWe residential EV charger system includes pv panels, grid-tied inverter or hybrid storage inverter, Li-Ion battery, smart meter with CT, other home loads , EV charger and the grid.

EV Charger Mode Introduction

GoodWe EV Charger has 3 different modes.

● Fast charge mode

The EV Charger system will charge the EV at maximum power. During day time, pv support the home loads and EV charger at the same time , if pv is not enough, battery will discharge to the home loads and EV charger.

● PV Only

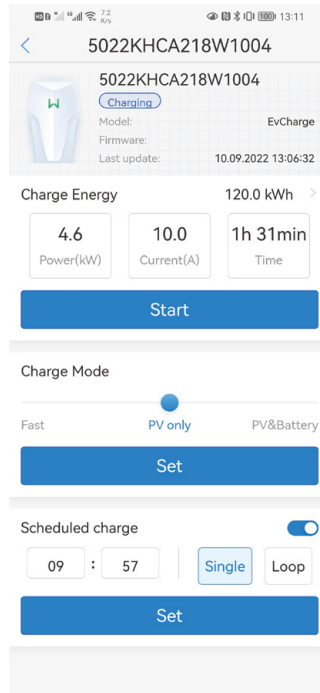
The EV charger system will only use the pv power to the EV charger. During day time, pv support the home loads first, the rest power will charge the electric vehicle. The battery will not discharge to the EV charger.

● PV&Battery

The EV charger system will user PV power and battery to charge the electric vehicle.

GoodWe EV Charger Solution

(SA-B-20221208-001)



Also, GoodWe EV charger solution also support charge by appointment. Customer can set the time period which electric price is cheap.

With rising energy prices on one side and falling feed-in-tariffs on the other, owners of solar rooftops are well advised to maximize self-consumption and back-up of PV power. By extending the PV and energy storage system to include charging of electric vehicles(EVs) , a high degree of energy independence can be secured. Combine with GoodWe inverters and EV charge for a smart and highly efficient residential ecosystem.

Welcome visiting **GoodWe Solar Community** (community.goodwe.com)

to check all technical articles, guidance videos, webinars and activities released by GoodWe and GoodWe Solar Academy.

Notice

The information in this document is subject to change without notice, all information in this document do not constitute any kind of warranty. Please check with GoodWe Solar Academy 'academy@goodwe.com' for the latest version.