
A New Star Product ES G2



ES G2 is the second generation of ES and it comes in 21 models:

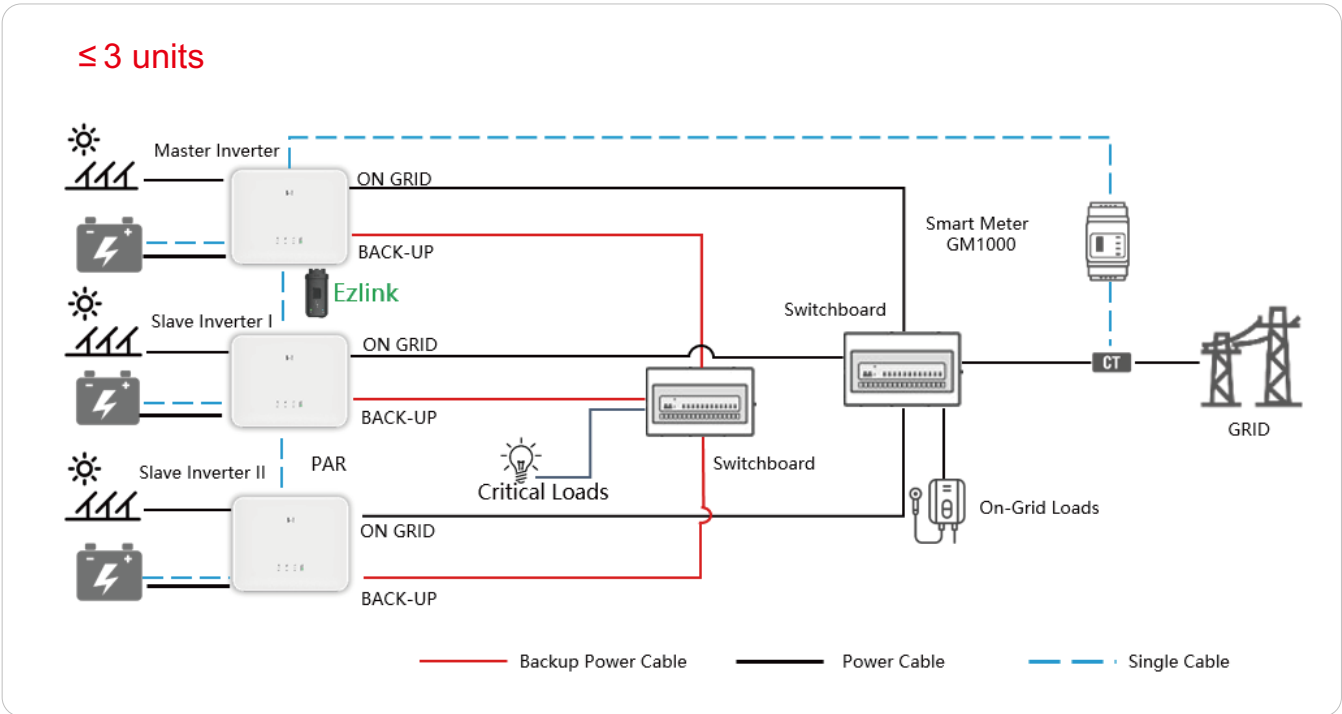
GW3648D-ES	GW5048D-ES	GW3048-EM	GW3648-EM	GW5048-EM
GW3000-ES-20	GW3600-ES-20	GW5000-ES-20	GW6000-ES-20	
GW3600M-ES-20	GW5000M-ES-20	GW6000M-ES-20		
GW3500L-ES-BR20	GW3600-ES-BR20	GW6000-ES-BR20		
PHB3500-ES	PHB3600-ES	PHB6000-ES		
GW3500L-ES-BR20	GW3600-ES-BR20	GW6000-ES-BR20		

Among them, M stands for half current at the battery charge and discharge side. Before we dig into the new features of ES G2, let's talk about why ES G2 is born. With the development of the economy and the improved living standard, on one hand, home loads are becoming more and more diversified. The power of the home loads are larger than ever. There is a strong demand for a large-size inverter. On the other hand, a good appearance of the inverter is also increasingly demanding. Based on the two driven factors, ES G2 emerges at the right moment to meet the new trend. ES G2 is an all-new, completely redesigned, super versatile single-phase hybrid inverter. The new design comes in a gorgeous color and a compact size with a new logo of "W": pearl white and 505.9 mm (W)*434.9 mm (H) *154.8 mm (D) only. Besides, ES G2 has soft arcs. All these new designs make it more fit for modern home style.

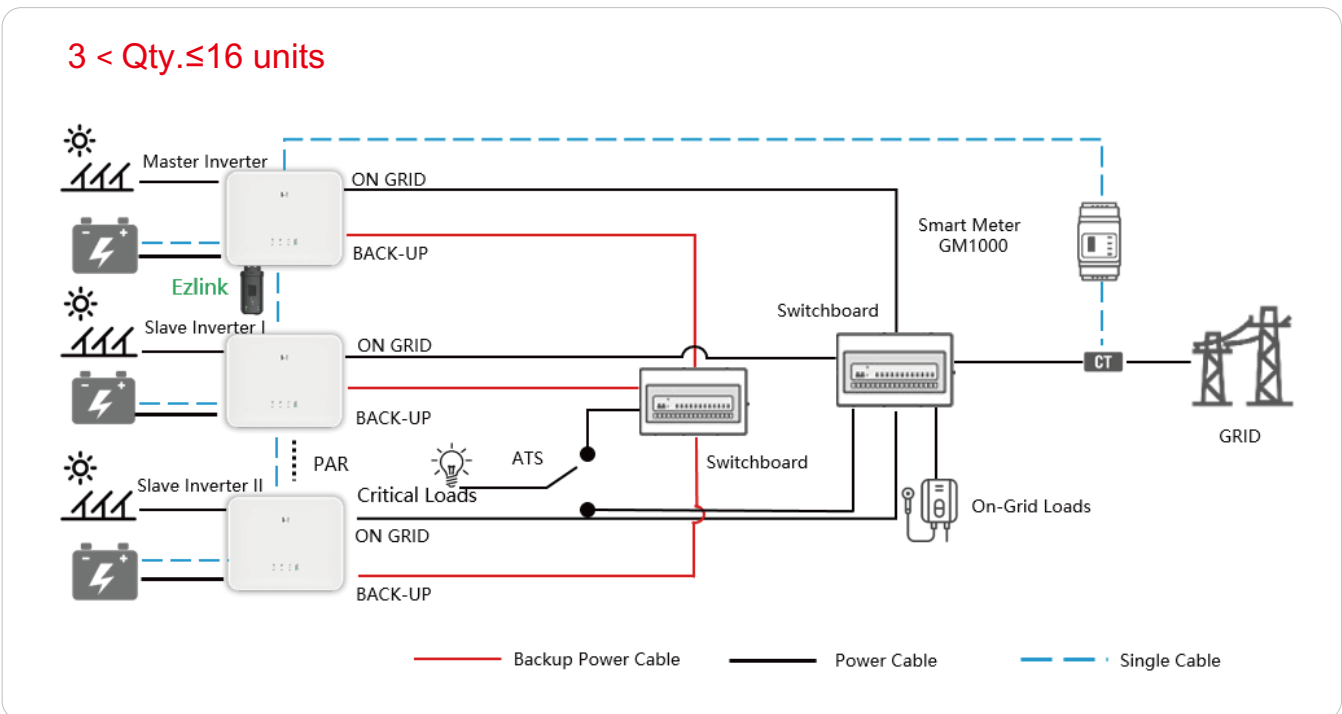
For lower initial investment cost, ES G2 also supports connection to lead-acid batteries of AGM, GEL, and Flooded types. And lead-acid battery temperature can be measurement by inverter connect to measurement cable, also it's SOC is calculated by the inverter BMS. This is a more flexible solution for users.



In addition, to meet the demand for a larger power-size inverter, ES G2 delivers a knockout function: **Paralleling function**. And paralleling function comes in two modes: **one is three units paralleling system, the other is 16 units paralleling system**.



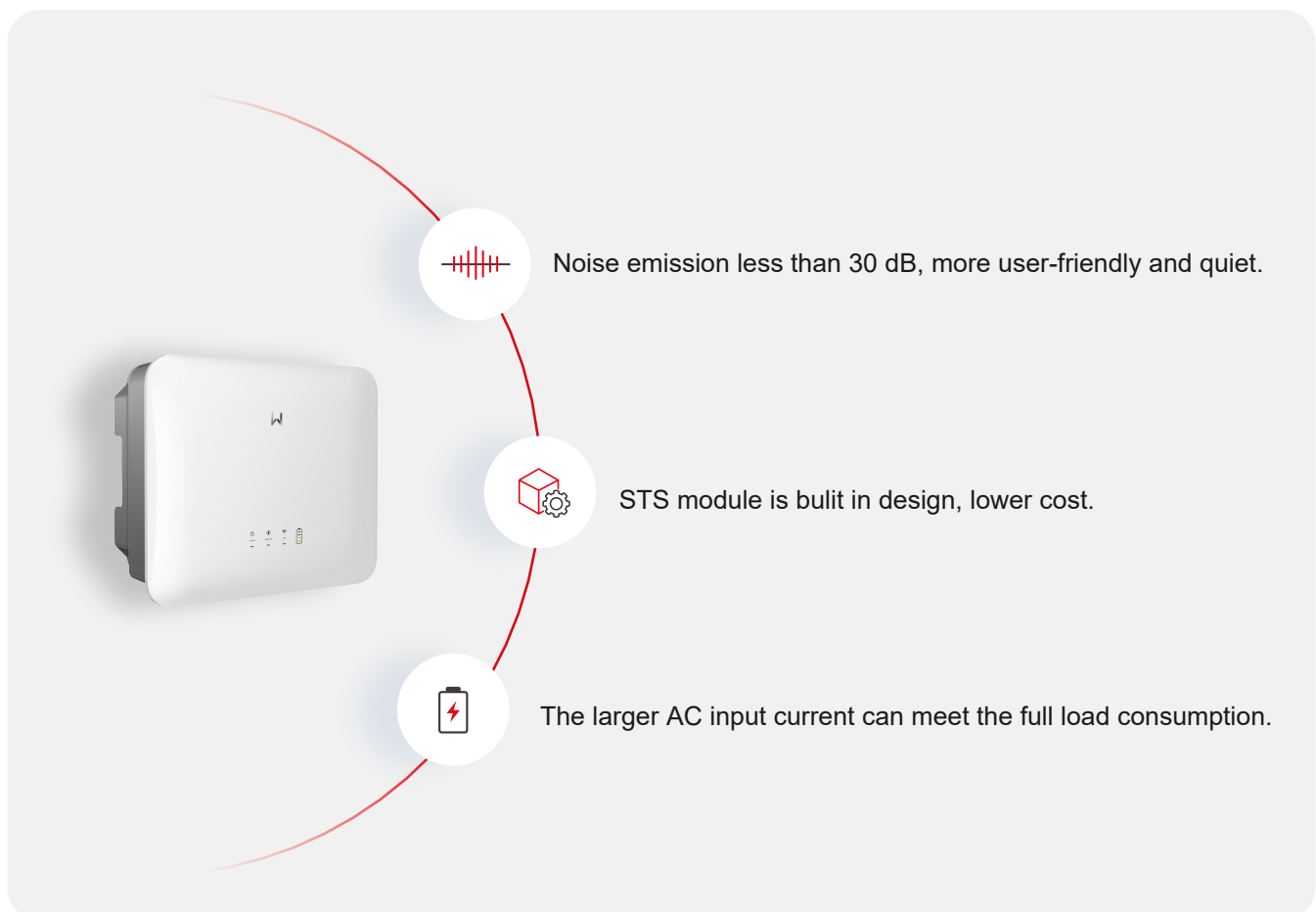
3-unit paralleled system can reach a maximum total power of 18kW. What's more, it can realize a UPS level switching from on grid to off grid mode within 10ms.



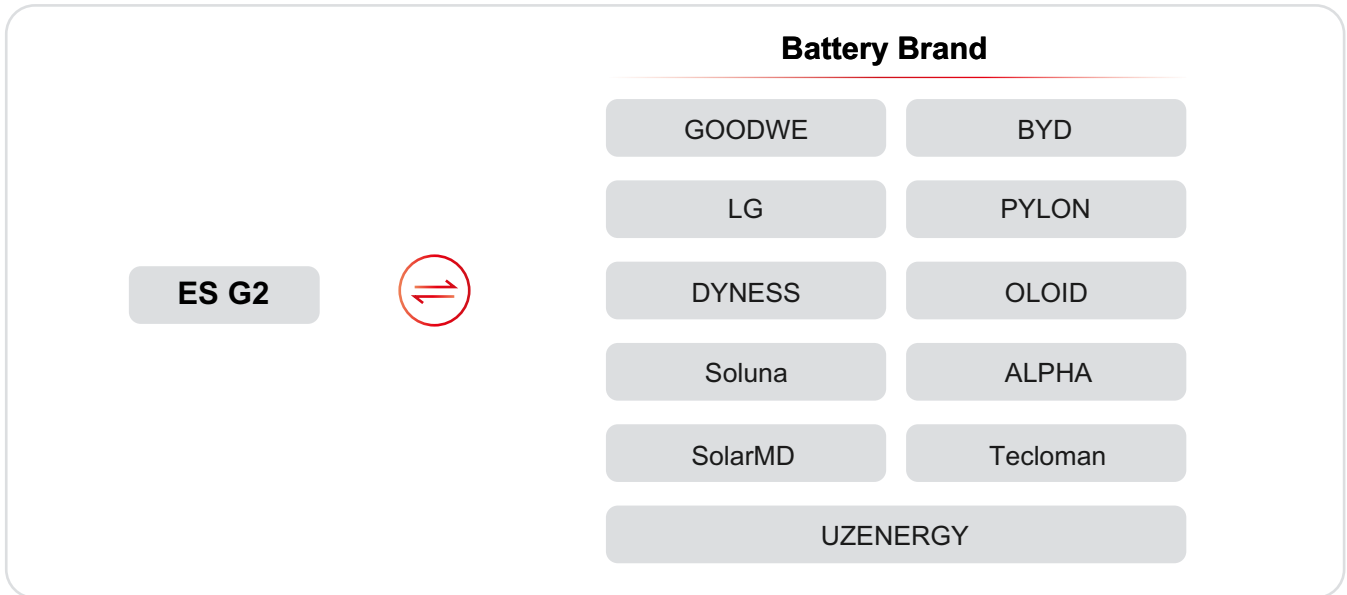
While 16-unit paralleled system can reach a maximum total power of 96kW. And it can realize an EPS level switching from on grid to off grid mode within a couple of seconds.

With paralleling function, it can not only supply power to large loads but also be more flexible.

Besides the two remarkable functions, there are other huge improvements made on ES G2: At the back-up output side, ES G2 can support max. $2 \cdot P_n$ (max. 10000W) output with grid and support $2 \cdot P_n$ output for 10 seconds without grid; At the PV input side, MPPT input current increases to 16A which makes ES G2 better matchable with the popular panels like 182 or 210; For the PV overload, ES G2 has $1.5 \cdot P_n$ overload capacity, also, the access power can charge the battery.



We have talked about various features of ES G2, and what batteries is ES G2 compatible? Here are listed the compatible batteries.



Welcome visiting **GoodWe Solar Community (community.goodwe.com)** to check all technical articles, guidance videos, webinars and activities released by GoodWe and GoodWe Solar Academy.

Notice

The information in this document is subject to change without notice, all information in this document do not constitute any kind of warranty. Please check with GoodWe Solar Academy 'academy@goodwe.com' for the latest version.